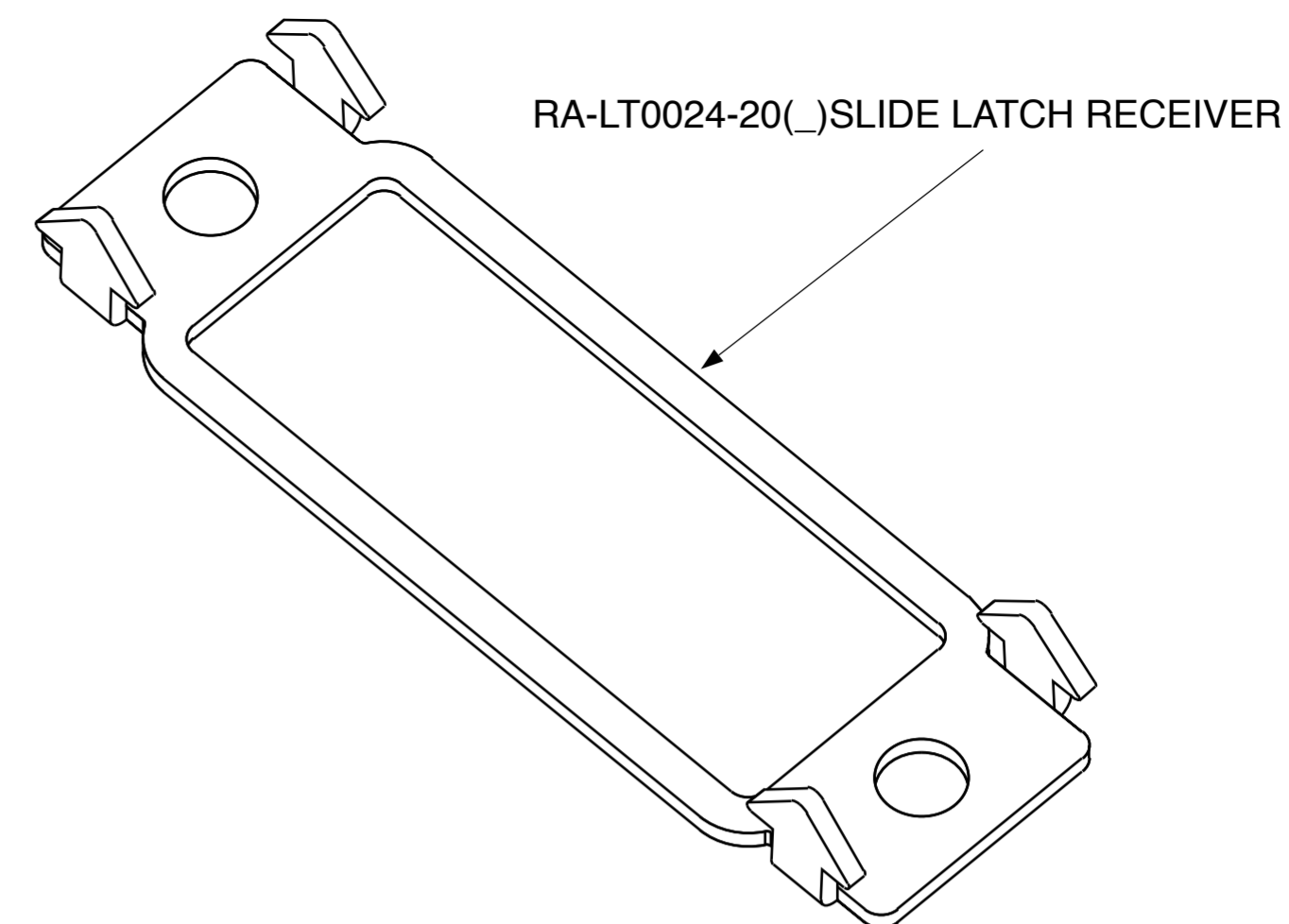
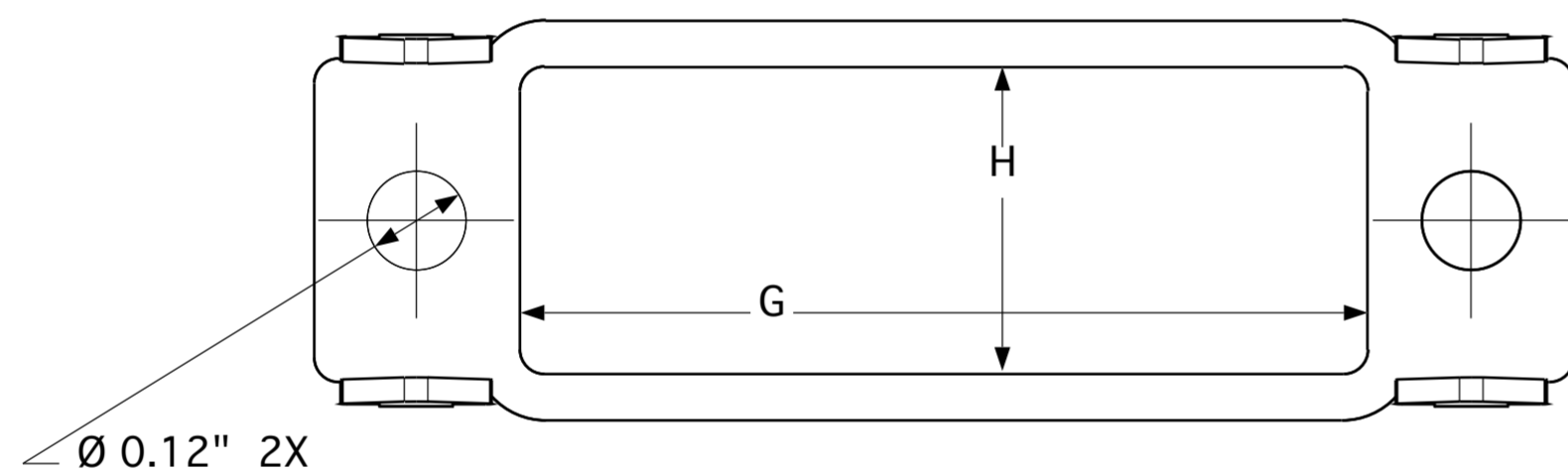


RA-LT0024-20( ) SLIDE LATCH RECEIVER

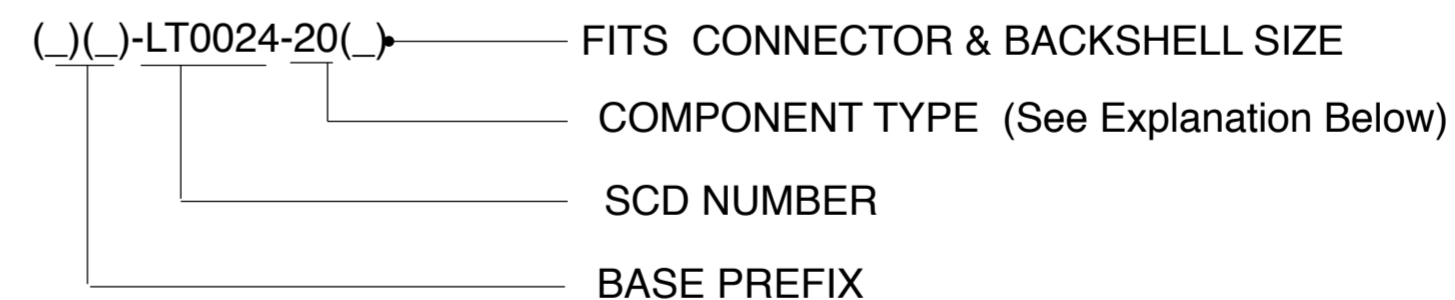


RA-LT0024-20( ) SLIDE LATCH RECEIVER										
Dash Number	Connector Backshell Size	A Inches	B Inches	C Inches	D Inches	E Inches	F Inches	G Inches	H Inches	Max. Weight (lbs)
201	1	0.98	0.17	1.23	0.46	0.50	0.20	0.73	0.39	0.003
202	2	1.30	0.17	1.56	0.46	0.50	0.20	1.06	0.39	0.003
203	3	1.85	0.17	2.10	0.46	0.50	0.20	1.60	0.40	0.004
204	4	2.50	0.17	2.75	0.46	0.50	0.20	2.25	0.40	TBD
205	5	2.40	0.17	2.65	0.57	0.61	0.20	2.15	0.51	0.005
206	6	2.50	0.17	2.75	0.63	0.67	0.20	2.27	0.56	0.005

NOTES:  
Refer To Drawing Dimension References A Through H.

1. No Mounting Hardware Included.

**CUSTOMER PART NUMBER EXPLANATION**

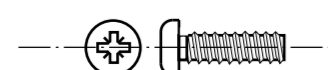


- 10 Refers To The Slide Latch Kit Consisting Of The -10( )A Slide Latch And The -10( )B Retainer Spring, When Assembled Together Form The Working Slide Latch Component. (See Drawing RC11061-S)
- 20 Refers To The -20( ) Slide Latch Receiver Plate That Forms The Mating Component To The Slide Latch Backshell Accessory.

**MATERIALS:**

RA-LT0024-20( ) SLIDE LATCH RECEIVER:  
Stainless Steel

**RECOMMENED HARDWARE**



#4-40 X 1/4 MAX" PAN HEAD SCREW, QTY 2

ALL MATERIALS RoHS COMPLIANT.

CONFIDENTIAL INFORMATION. THIS DOCUMENT AND CONTAINED INFORMATION ARE THE PROPERTY OF RUSSTECH ENGINEERING COMPANY, INC. THE RECIPIENT, BY RECEIPT AND RETENTION HEREOF, ACKNOWLEDGES THAT THE INFORMATION RECEIVED IS CONFIDENTIAL, DEVELOPED OVER TIME AT SIGNIFICANT EXPENSE, AND THAT DISCLOSURE THEREOF TO THIRD PARTIES WILL CAUSE IRREPARABLE HARM TO RUSSTECH. THE RECIPIENT, BY THE RECEIPT AND RETENTION OF SUCH INFORMATION, AGREES TO MAINTAIN SUCH INFORMATION IN CONFIDENCE, TO NOT DISCLOSE IT TO THIRD PARTIES, AND TO RETURN IT, AND ALL COPIES OR DERIVATIVES THEREOF, IN ANY FORM, TO RUSSTECH, UPON REQUEST.

WWW.RUSSTECHENGINEERING.COM

CAGE CODE 1EG24

TOLERANCES (UNLESS NOTED)

DECIMALS:  
XX± .02  
XXX± .005  
ANGLES: ± 2°

CONCENTRICITY SAME AS ABOVE

SCALE: NONE

BY Don Fieberg  
Released 11/01/2018



RUSSTECH  
Engineering Co., Inc.  
16 TECHNOLOGY DRIVE 111  
IRVINE, CA 92618

RA-LT0024-20( )  
RECEIVER, SLIDE LATCH  
BACKSHELL ACCESSORY

DRAWING NO.  
RC11063-S

REV.  
9