

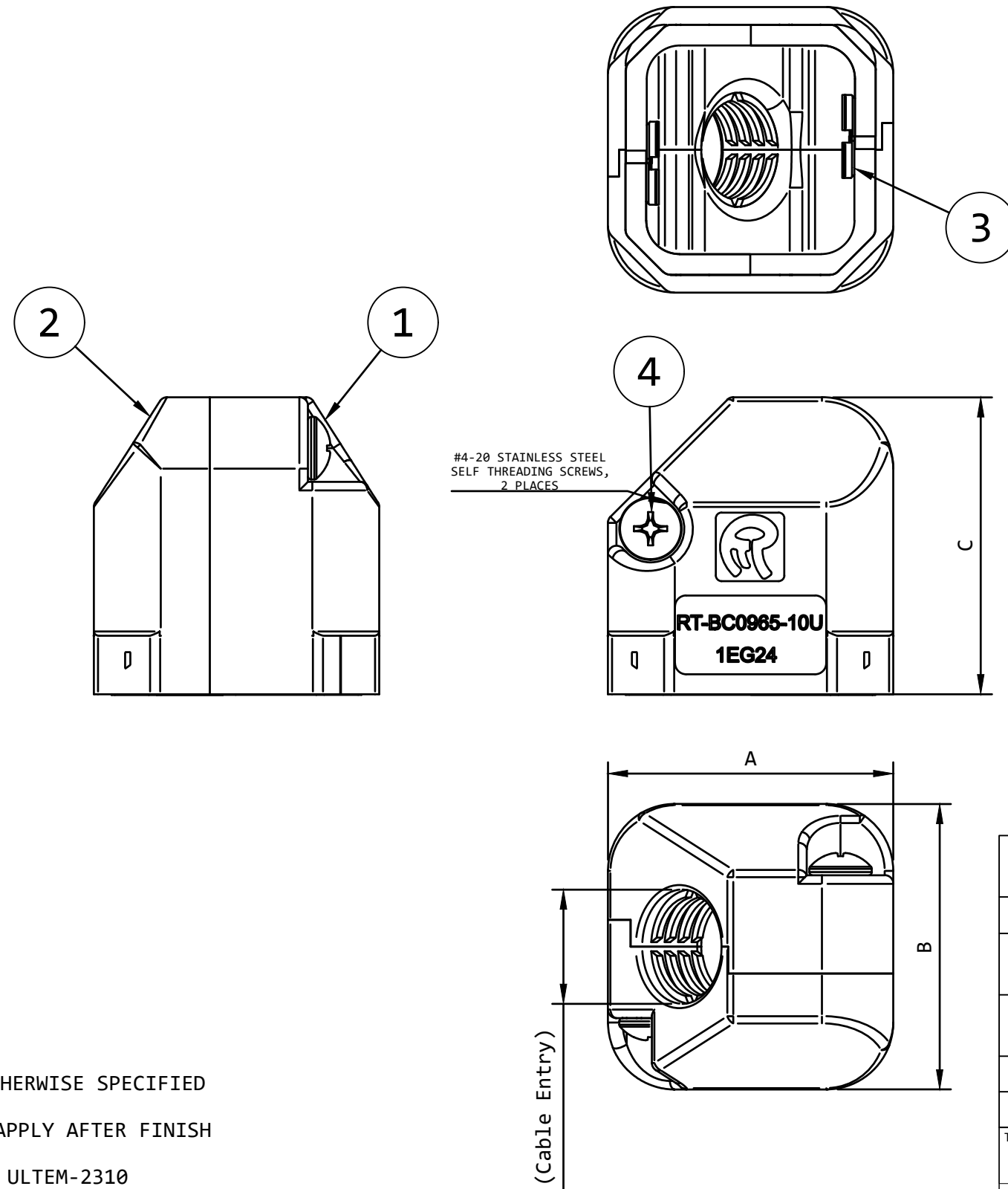
CONFIDENTIAL INFORMATION: THIS DOCUMENT AND CONTAINED INFORMATION ARE THE PROPERTY OF RUSSTECH ENGINEERING COMPANY, INC. THE RECIPIENT, BY RECEIPT AND RETENTION HEREOF, ACKNOWLEDGES THAT THE INFORMATION RECEIVED IS CONFIDENTIAL, DEVELOPED OVER TIME AT SIGNIFICANT EXPENSE, AND THAT DISCLOSURE THEREOF TO THIRD PARTIES WILL CAUSE IRREPAIRABLE HARM TO RUSSTECH. THE RECIPIENT BY THE RECEIPT AND RETENTION OF SUCH INFORMATION, AGREES TO MAINTAIN SUCH INFORMATION IN CONFIDENCE, TO NOT DISCLOSE IT TO THIRD PARTIES, AND TO RETURN IT, AND ALL COPIES OR DERIVATIVES THEREOF, IN ANY FORM, TO RUSSTECH, UPON REQUEST.

REVISION HISTORY

ZONE	REV	DESCRIPTION	CHECKED BY	DATE	APPROVED BY	DATE
------	-----	-------------	------------	------	-------------	------

A  
B  
C  
D  
E  
F

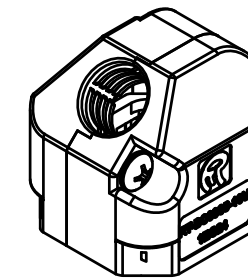
A  
B  
C  
D  
E  
F



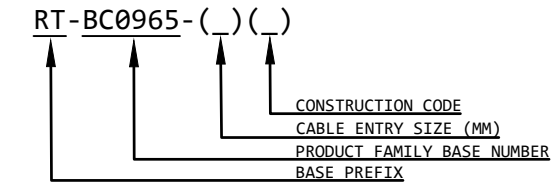
RUSSTECH RT-BC0965-( )U, MONO MODULAR EN4165 / BACC65 / ARINC 809 BACKSHELL, EMI, COMPOSITE, 45 DEGREE EXIT						
Dash No.	Cable Entry (MM) Reference Only	Cable O.D. Size (Inch)	Backshell Weight (lbs.) ±.010 Ref. Only	A ±.03 Inches	B ±.03 Inches	C ±.03 Inches
-10U	10	.15-.40	.015	1.00	1.00	1.04

TABULATION NOTES:  
REFER TO DIMENSION REFERENCES A THROUGH C

U = DENOTES PART IS OF COMPOSITE CONSTRUCTION



RUSSTECH PART NUMBER EXPLANATION



NOTES UNLESS OTHERWISE SPECIFIED

- DIMENSIONS APPLY AFTER FINISH
- MATERIALS:  
BACKSHELL: ULTEM-2310  
ADAPTOR CLIP: ULTEM-2310  
HARDWARE: STAINLESS STEEL
- FINISH:  
BACKSHELL: ELECTROLESS NICKEL PLATE  
ADAPTOR CLIP: ELECTROLESS NICKEL PLATE
- PACKAGE TO PREVENT DAMAGE
- ASSEMBLY HARDWARE INCLUDED
- SIZE #1 PHILLIPS DRIVER BIT RECOMMENDED

ITEM	QTY	PART NUMBER	DESCRIPTION	MATERIAL
4	2	RTLS-A28-12	Screw, Trilobular, Thread Cutting, 1/2" Length	Stainless Steel
3	2	RTBS0001-01	Adaptor Clip	Ultem - 2310
2	1	RT-BC0965-( ) ( )-R	Composite EMI Backshell Half, 45 Degree, Right	Ultem - 2310
1	1	RT-BC0965-( ) ( )-L	Composite EMI Backshell Half, 45 Degree, Left	Ultem - 2310

PARTS LIST

TECHNICAL REFERENCE		<b>RUSSTECH ENGINEERING COMPANY, INCORPORATED</b> 16 TECHNOLOGY DRIVE, SUITE 111 IRVINE, CA 92618, USA				
UNLESS OTHERWISE SPECIFIED DIMENSIONS ARE IN DECIMAL INCHES WITH METRIC IN BRACKETS  TOLERANCES ARE: .X ± .1 .XX ± .03 .XXX ± .010 ANGLES ± .5°  REMOVE ALL BURRS & SHARP EDGES	APPROVALS	DATE	TITLE			
	DRAWN BY B. LEBSON		RT-BC0965-10U			
	CHECKED BY B. COLLINS		MONO MODULAR EN4165 / BACC65 / ARINC 809 BACKSHELL EMI, COMPOSITE, 45 DEGREE EXIT			
	ENGINEER B. LEBSON		SIZE A3	CAGE CODE 1EG24	DRAWING NUMBER RT-BC0965-S	REV. X1
	APPROVED BY D. FIEBERG		SCALE 2:1	AUTODESK-FUSION	DEPARTMENT SALES	SHEET 1/1