



RUSSTECH

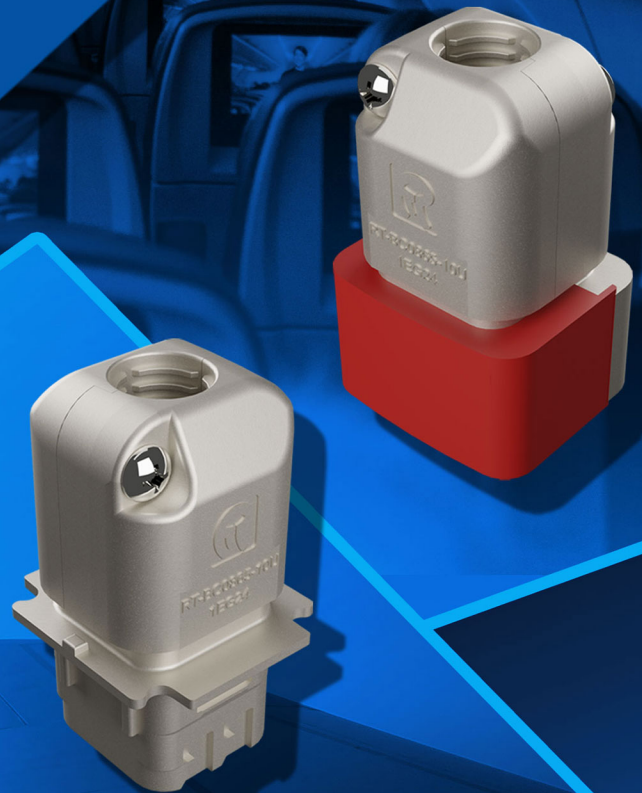
ENGINEERING

Russtech Engineering Co., Inc.
4416 Russell Rd., Suite A
Mukilteo, WA 98275
PH (855) RUSSTECH
www.russtechengineering.com

STRAIGHT BACKSHELL

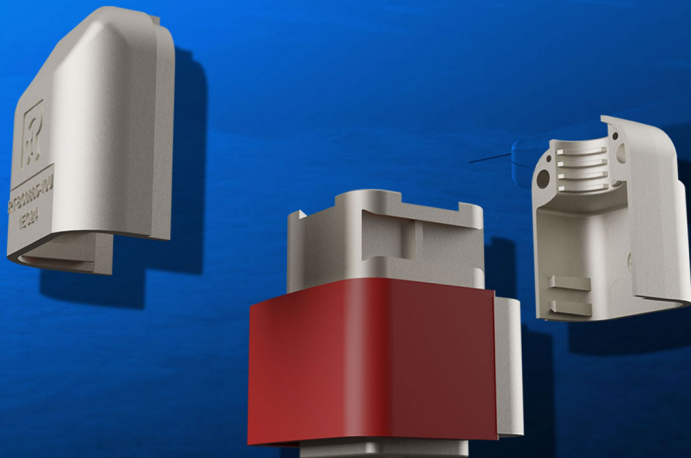
EN4165-ARINC 809-BACC65

Introducing a revolutionary ARINC 809-BACC65/EN4165 backshell design that is the lightest and strongest in the industry. This precision design incorporates a full perimeter EMI/RFI lip which virtually eliminates conducted and radiated emissions. The cable entry is carefully designed to provide superior push, pull and rotational strain relief while being optimized for both larger and smaller wire bundles. The backshell geometry is specifically designed to avoid interferences when utilizing nut plates and screws with a disconnect mounted receptacle and allows for ease of connector termination.



Features

- COMPOSITE CONSTRUCTION - Strong, Lightweight, and Robust design.
- PROPRIETARY EMI COATINGS
- SUPERIOR STRAIN RELIEF - Push, pull and rotational strain relief.
- OPTIMIZED GEOMETRY - Optimized backshell geometry for ease of connector termination.
- CABLE ACCOMODATIONS - Allows for termination of a wide range of cable diameters.



INFLITE[®]
COMPOSITE EMI BACKSHELL SYSTEM



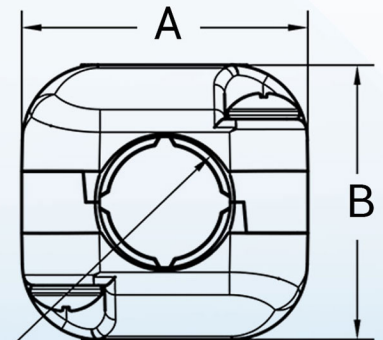


TECHNICAL SPECS

RT-BC0865-(-)U, MONO MODULAR EN4165 / BACC65 / ARINC 809 BACKSHELL, EMI, COMPOSITE , STRAIGHT EXIT

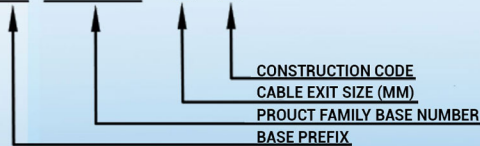
Dash No.	Cable Exit (MM) Reference Only	Cable O.D. Size (Inch)	Backshell Weight (lbs) ±.010 Ref. Only	A ±.03 Inches	B ±.03 Inches	C ±.03 Inches
10U	10	.15 - .40	.015	0.94	0.84	0.87

*DIMENSIONS APPLY AFTER FINISH



RUSSTECH PART NUMBER EXPLANATION

RT - BC0865-(-) (-)



MATERIALS:

- BACKSHELL: COMPOSITE
- HARDWARE: STAINLESS STEEL

FINISH:

- BACKSHELL: ELECTROLESS NICKEL PLATED
- ASSEMBLY HARDWARE INCLUDED
- SIZE #1 PHILLIPS DRIVER BIT RECOMMENDED

(CABLE EXIT)

