



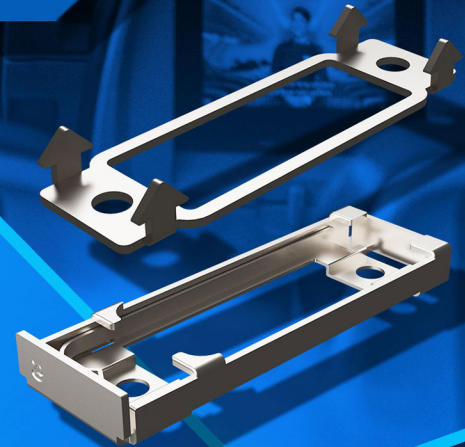
RUSSTECH

ENGINEERING

Russtech Engineering Co., Inc.
4416 Russell Rd., Suite A
Mukilteo, WA 98275
PH (855) RUSSTECH
www.russtechengineering.com

D-Sub Slide Latch & Receiver D-SUB BACKSHELL SLIDE LATCH KIT

The new RUSSTECH slide latch system creates a positive, secure mate between D-Sub Connectors. The latch is universal and easy to install on virtually all D-Sub connector and backshell combinations. The latch aids in blind mating conditions, ensures secure engagement on both sides all by just plugging your connectors together. To de-mate, simply push the spring-loaded slide latch release from one side.



Features

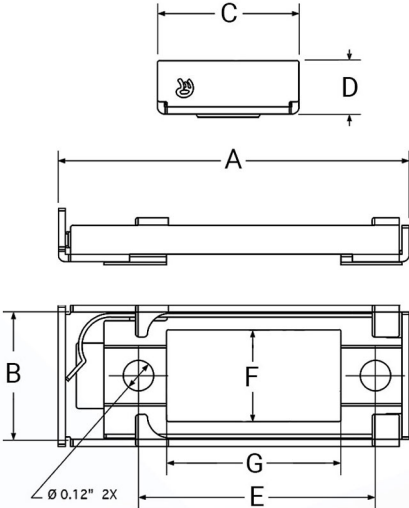
- **POSITIVE LATCHING** - Superior securement of plug and receptacle connectors even in high vibration environments.
- **BLIND MATING** - Simple, spring loaded action requires no human action to mate, just plug your connectors together. Both tactile and audible feedback ensure a secure mate.
- **EASY OPERATION** - Simple press on one side releases the secure mate. This can be oriented on either side of the connector simplifying the release of 90 degree connections where the cable interferes with traditional spring latches.
- **DURABLE CONSTRUCTION** - Exceeds mating cycles of a traditional D-Sub connector.
- **ACCOMODATING** - Compatible with Box Mount, Panel Mount and Flying Connections. Works seamlessly with virtually any DSub connector and Backshell combination.
- **COMPACT DESIGN** - Connectors can be mounted with release on left or right side allowing for tighter panel layouts on boxes and disconnect panels.

INFLITE
COMPOSITE EMI BACKSHELL SYSTEM



SLIDE LATCH

RUSSTECH RA-LT0024-10()() SLIDE LATCH									
Dash No.	Connector Backshell Size	A Inches	B Inches	C Inches	D Inches	E Inches	F Inches	G Inches	Max. Weight (lbs)
101	1	1.45	0.52	0.58	0.22	0.98	0.39	0.73	0.010
102	2	1.78	0.52	0.58	0.22	1.31	0.39	1.06	0.011
103	3	2.32	0.52	0.58	0.22	1.85	0.40	1.60	0.013
104	4	2.96	0.52	0.58	0.22	2.50	0.40	2.25	0.016
105	5	2.87	0.63	0.69	0.22	2.40	0.51	2.15	0.015
106	6	2.97	0.69	0.75	0.22	2.50	0.56	2.27	0.016



NOTES:

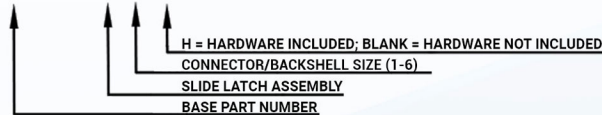
- REFER TO DRAWING DIMENSION REFERENCES A THROUGH G
- RECOMMENDED HARDWARE WHEN NOT INCLUDED - (QTY 2) #4-40 X 1/4 MAX" PAN HEAD SCREW

MATERIALS:

- SLIDE LATCH - STAINLESS STEEL
- RETAINER SPRING - STEEL, NICKLE PLATE FINISH
- RoHS COMPLIANT.

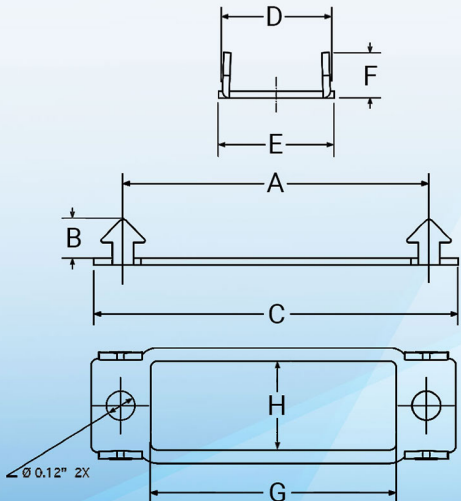
RUSSTECH PART NUMBER EXPLANATION

RA-LT0024-10()()



RECEIVER

RUSSTECH RA-LT0024-20()() SLIDE LATCH RECEIVER										
Dash No.	Connector Backshell Size	A Inches	B Inches	C Inches	D Inches	E Inches	F Inches	G Inches	H Inches	Max. Weight (lbs)
201	1	0.98	0.17	1.23	0.46	0.50	0.20	0.73	0.39	0.003
202	2	1.30	0.17	1.56	0.46	0.50	0.20	1.06	0.39	0.003
203	3	1.85	0.17	2.10	0.46	0.50	0.20	1.60	0.40	0.004
204	4	2.50	0.17	2.75	0.46	0.50	0.20	2.25	0.40	0.005
205	5	2.40	0.17	2.65	0.57	0.61	0.20	2.15	0.51	0.005
206	6	2.50	0.17	2.75	0.63	0.67	0.20	2.27	0.56	0.005



NOTES:

- REFER TO DRAWING DIMENSION REFERENCES A THROUGH H
- RECOMMENDED HARDWARE WHEN NOT INCLUDED - (QTY 2) #4-40 X 1/4 MAX" PAN HEAD SCREW

MATERIALS:

- SLIDE LATCH RECEIVER - STAINLESS STEEL
- RoHS COMPLIANT.

RUSSTECH PART NUMBER EXPLANATION

RA-LT0024-20()()

